



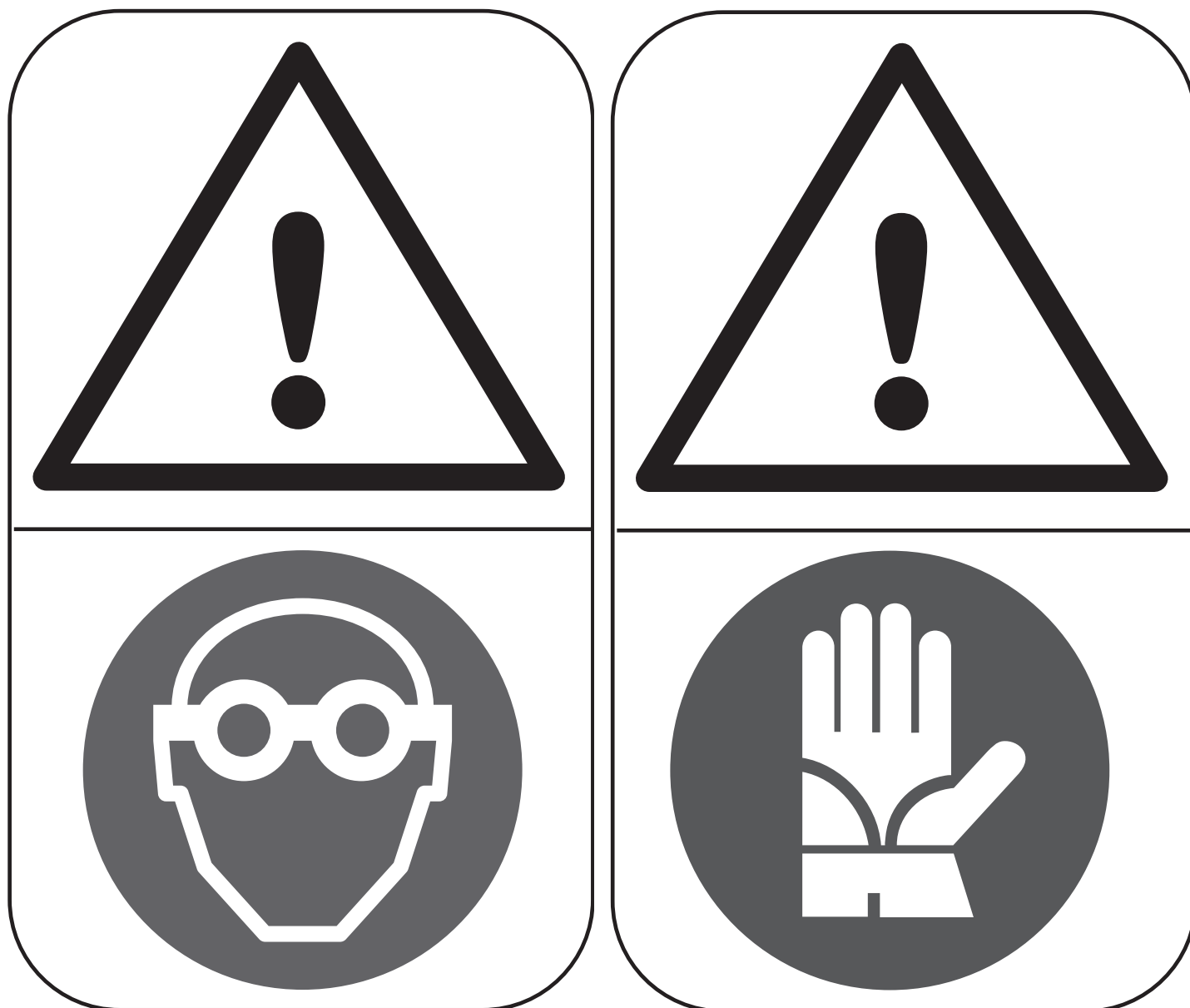
TECHNICAL MANUAL
INTERFACE WITH FRAME /
HANDLEBAR

TEKAR™

TEKAR
GT

WARNING!

Always wear protective gloves and glasses while working on the bicycle.



THIS TECHNICAL MANUAL IS INTENDED FOR USE BY PROFESSIONAL MECHANICS.

Anyone who is not professionally qualified to assemble bicycles should not attempt to install and operate on the components because of the risk of carrying out incorrect operations that could cause the components to malfunction with the consequent risk of accidents, physical injury or even death.

The actual product may differ from what is illustrated, as the specific purpose of these instructions is to explain the procedures for using the component.



INTERFACE WITH FRAME / HANDLEBAR

1 - PREPARING THE FRAME

• Remove all traces of paint from the areas where the callipers are to be installed on the fork and the left-hand chain stay. Also remove all traces of paint from the bottom part of the holes on the chain stay, where the rear calliper screw heads rest. (Fig.1 - 1.1).

1.1 - FRONT FORK

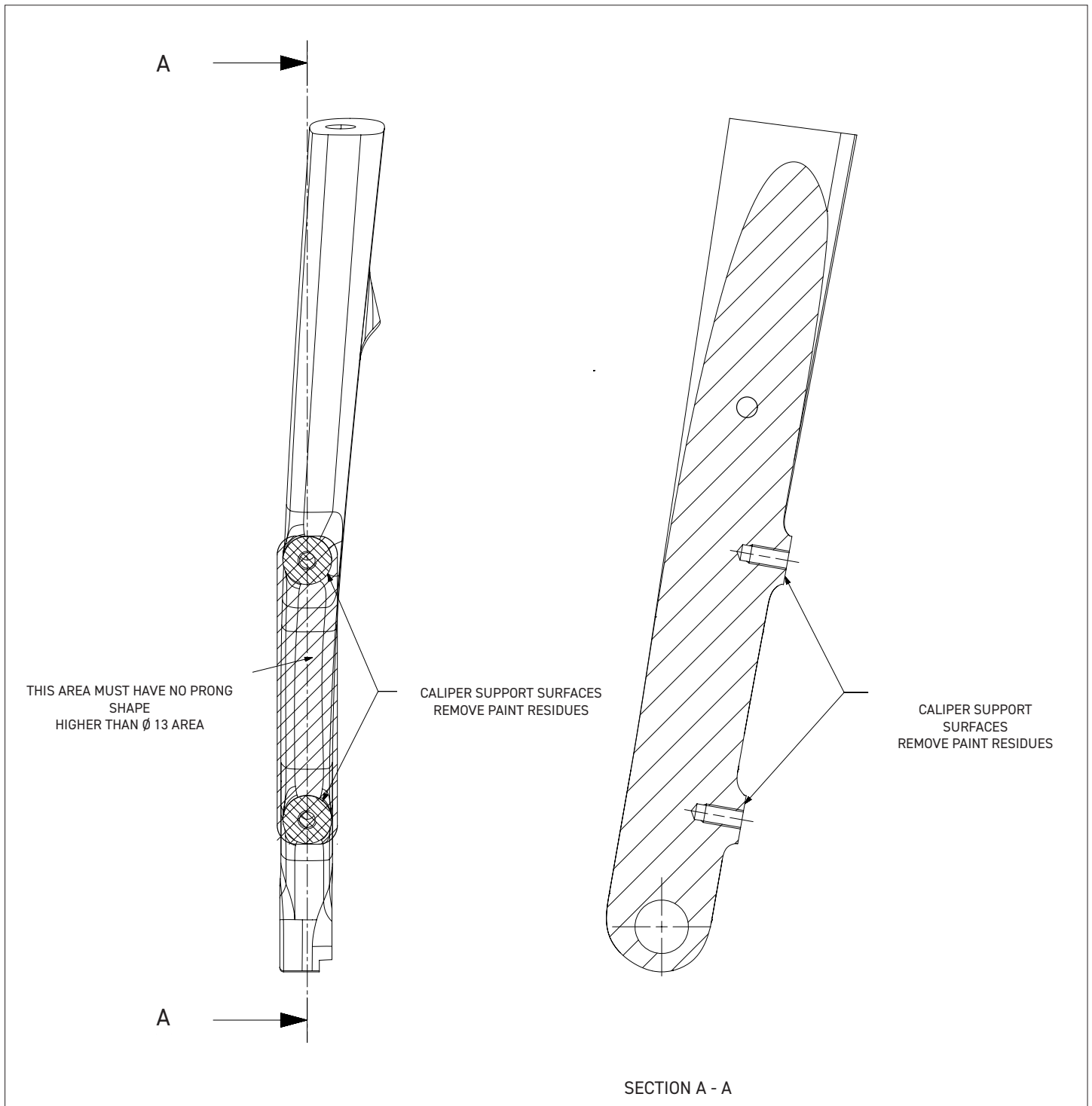


Fig.1

Important: where not specified, all measurements are expressed in millimetres.

1.2 - REAR FORK

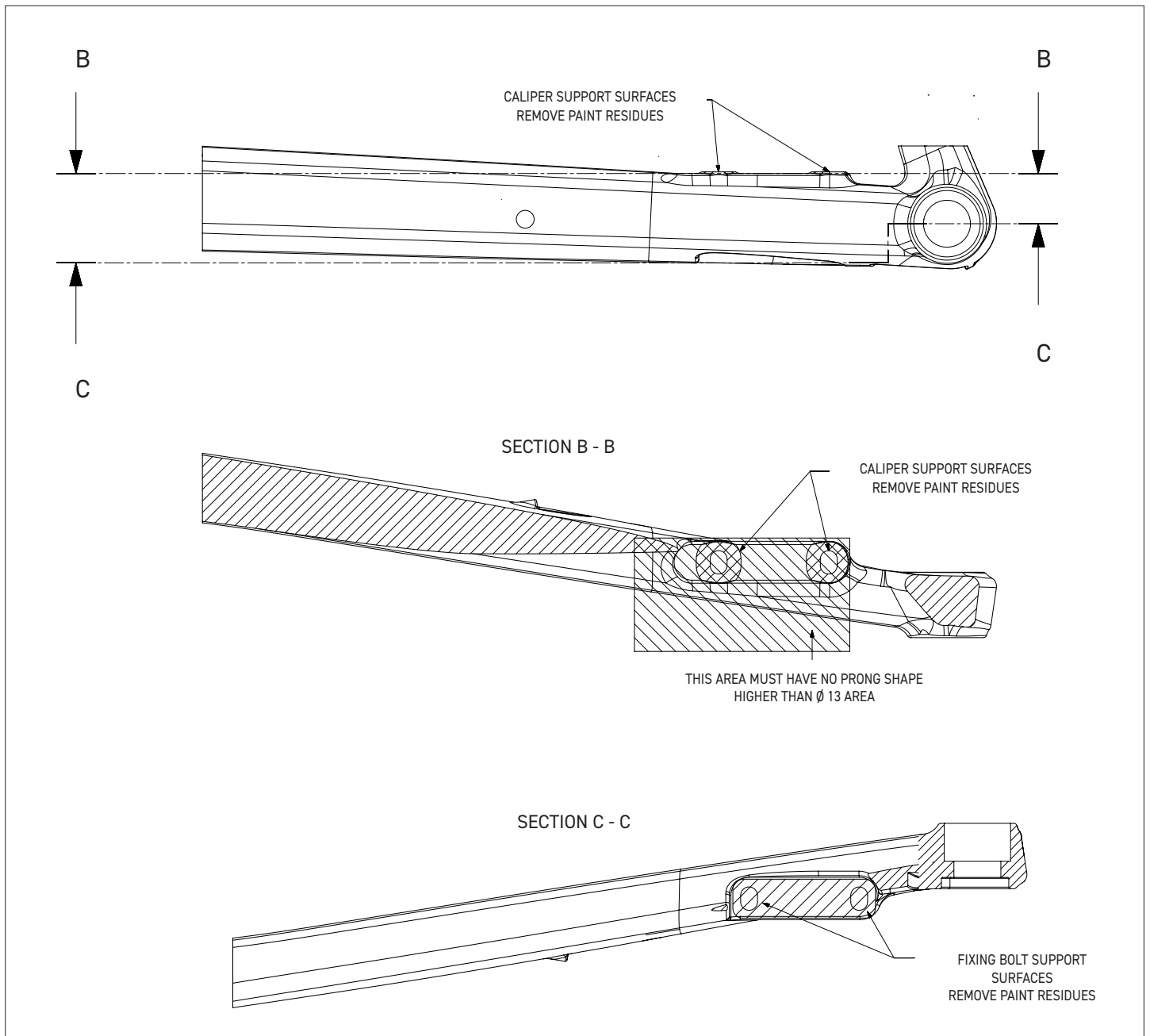
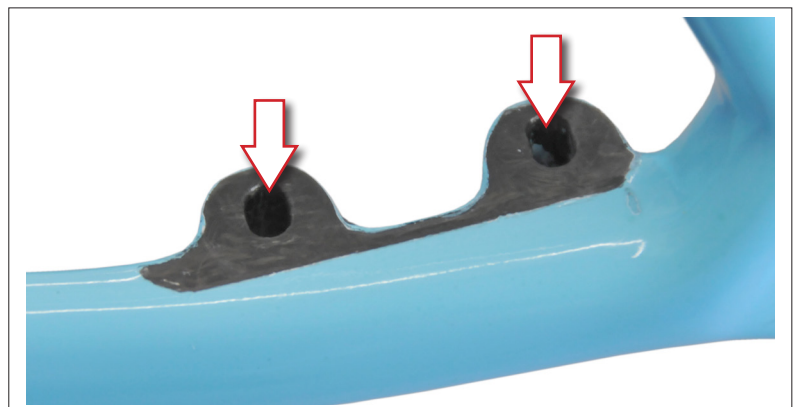


Fig.1.1

Important: where not specified, all measurements are expressed in millimetres.

· Using the frame cutter tool make sure the calliper contact surface on the fork and the left-hand chain stay are perpendicular to the discs, grinding the chain stay if necessary in order to achieve this (Fig.2).



2 - ERGOPOWER CONTROL LEVERS

2.1 - INTERFACE WITH HANDLEBAR FOR ERGOPOWER CONTROLS



WARNING!

Combinations other than those provided for in the above table could cause the drivetrain to malfunction and potentially be the cause of accidents, physical injury or even death.

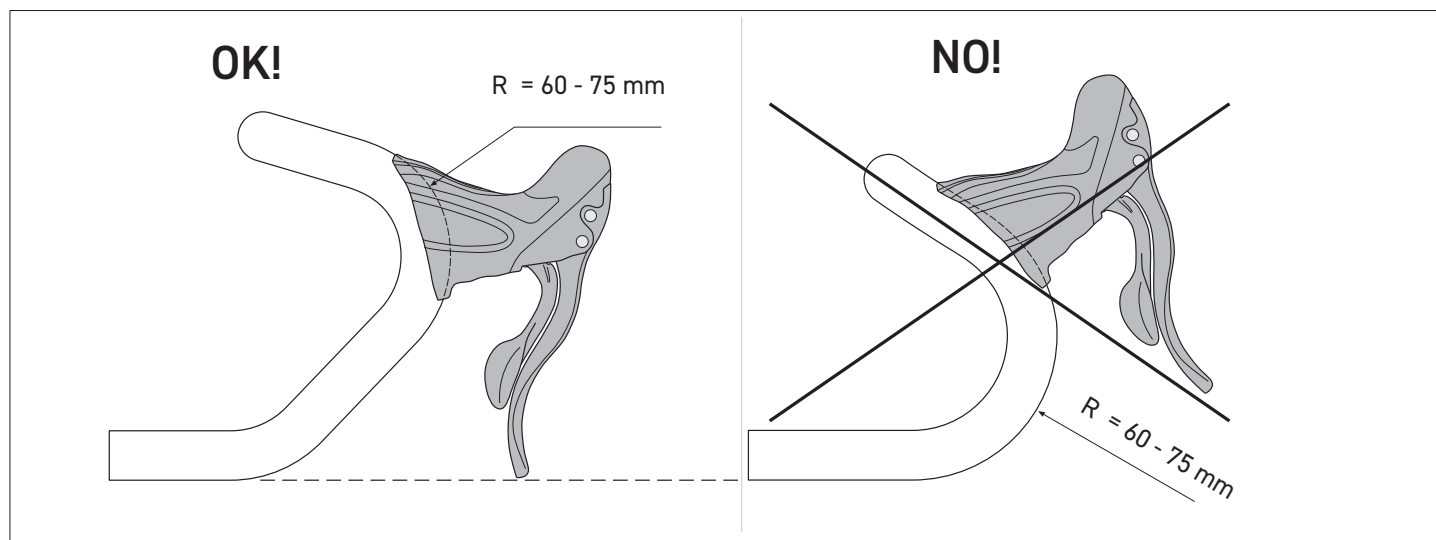


Fig.1

- Do not lodge the upper part of the command in the rectilinear section of the handlebar (Fig. 1 / Fig. 2).
- Lodge the command in the curved section measuring $R = 60 - 75$ mm with a diameter = 23.8 - 24.2 mm (including any ovalization) to guarantee more effective fastening (Fig. 1/Fig. 2).

CAUTION: Make sure that the curved section of the handlebar where the command is to be fixed, has a sufficiently rough surface to ensure a better grip.

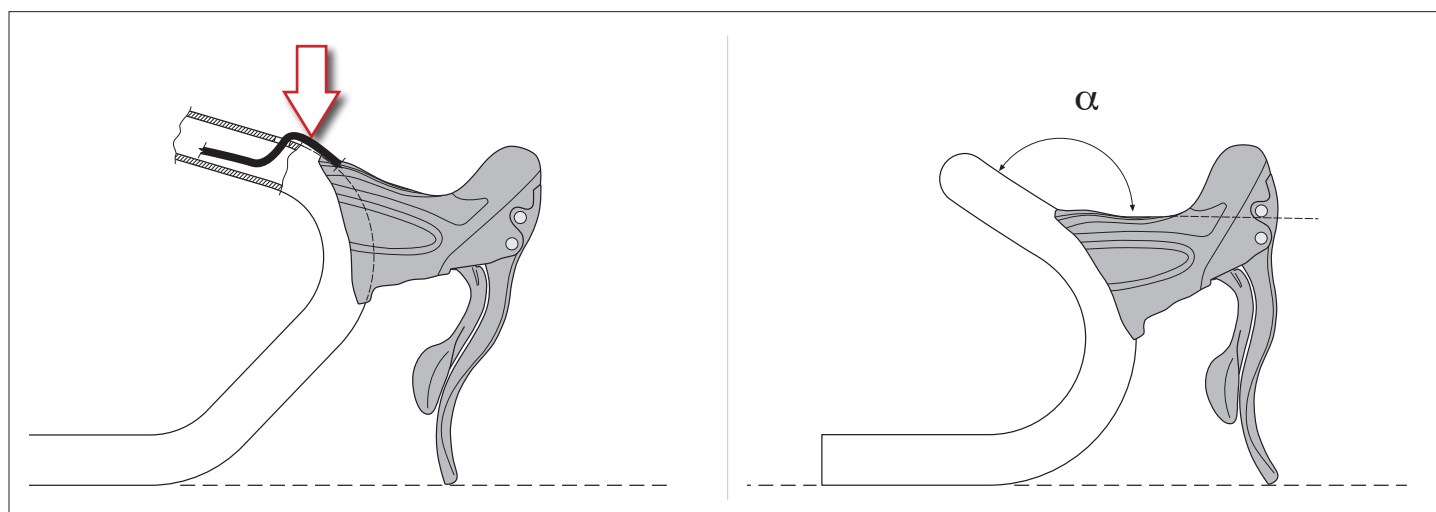


Fig.2

Fig.3

CAUTION: The cable routing illustrated in Figure 2 seriously compromises the drivetrain's gear shift and derailing performance. **DO NOT USE HANDLEBAR BENDS WITH THIS KIND OF ROUTING.**

- Make sure that angle α is sufficiently wide to ensure that the housing is mounted correctly and the cable runs through it easily (Fig. 3).

3 - FORK SPECIFICATIONS

3.1 - FORK SPECIFICATIONS FOR THE FRONT CALIPER

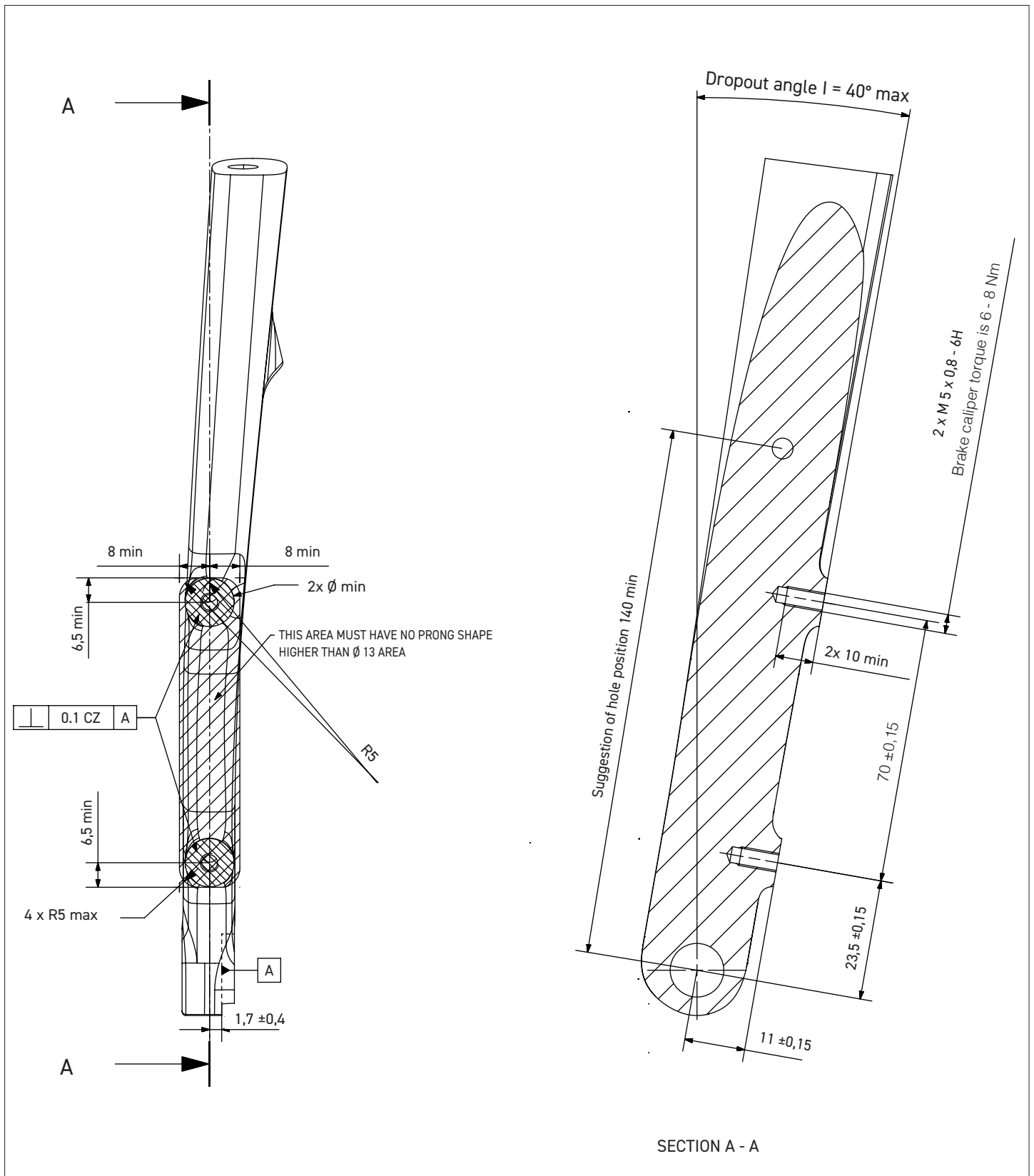


Fig.1

Important: where not specified, all measurements are expressed in millimetres.

3.2 - LEFT-HAND CHAINSTAY FOR REAR CALIPER

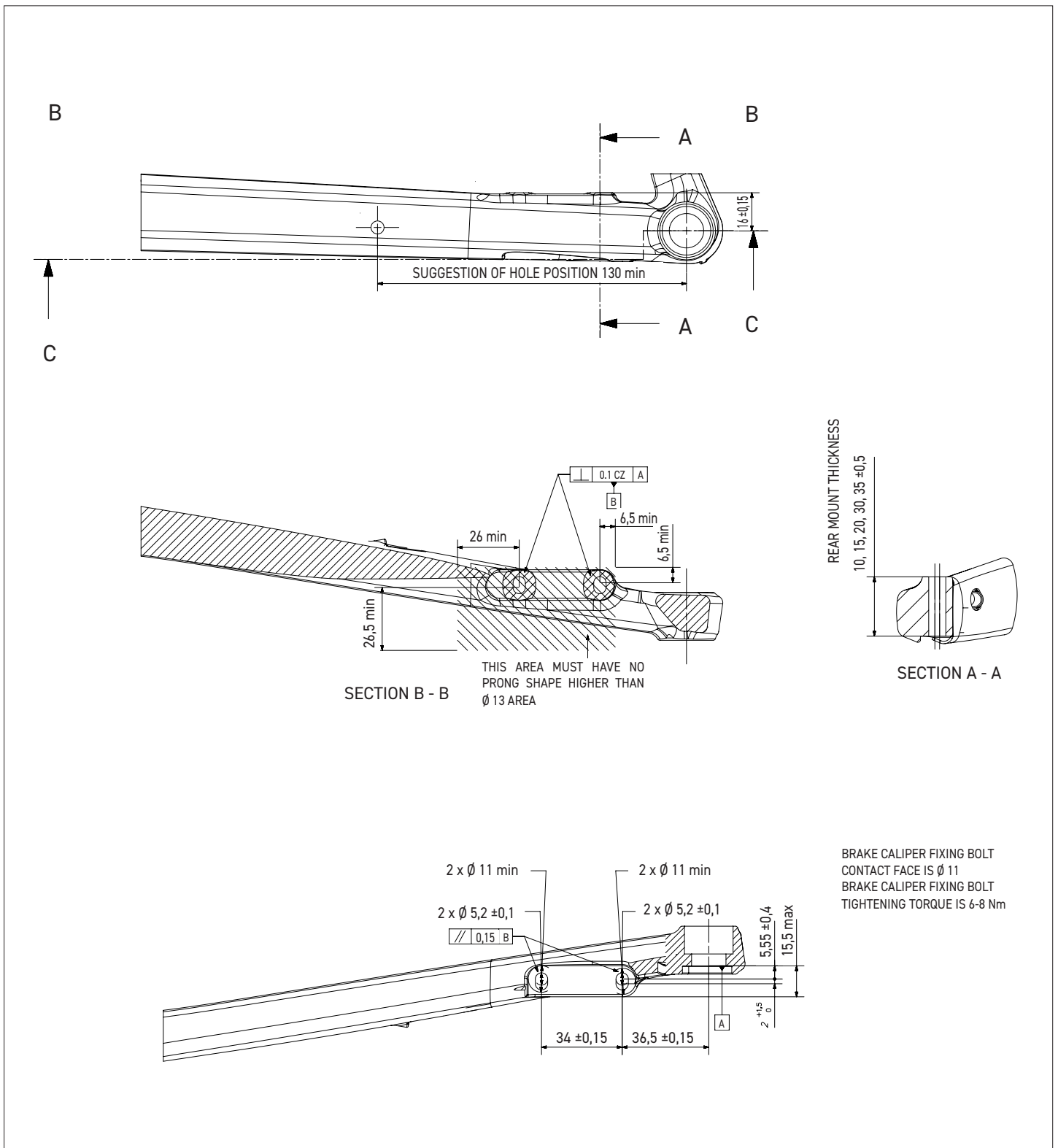


Fig.2

Important: where not specified, all measurements are expressed in millimetres.

4 - REAR DERAILLEUR

4.1 - STANDARD DROP-OUT SPECIFICATIONS

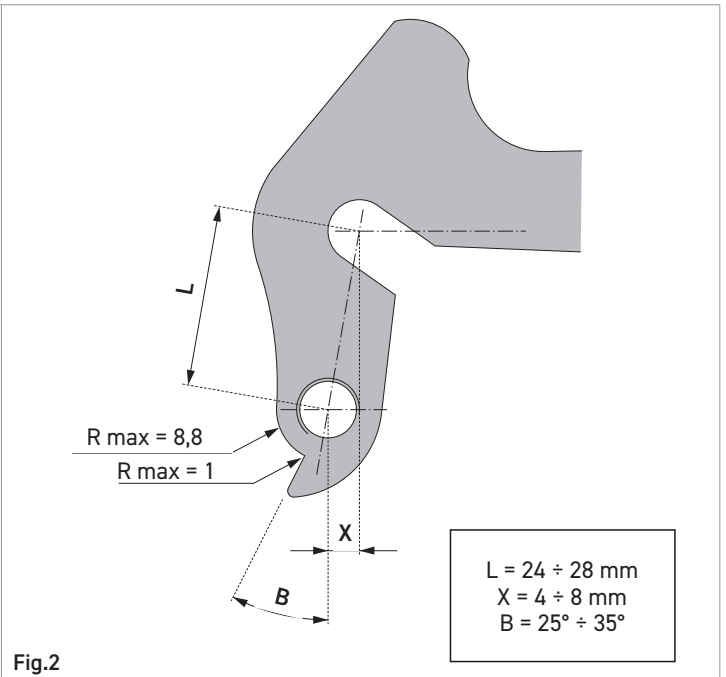
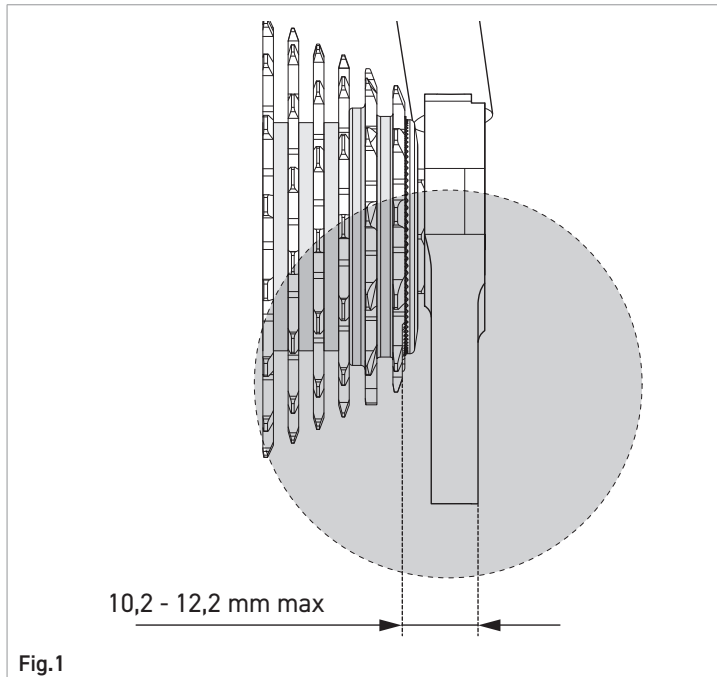


Fig.1

The stroke of the cage in relation to the cable throw is checked by Campagnolo Quality Control for each single piece produced. The distance of the rear derailleur hanger from the first sprocket influences this stroke, so it is indispensable to stay within the tolerance prescribed as per the drawing (Fig. 1).

Fig.2

WARNING!

Campagnolo® rear derailleurs are designed to work with dropouts that have the dimensions shown in Fig. 2. For your safety and for the performance of the drivetrain please make sure that the dropout of your bicycle has those dimensions. If you have any doubts please have a qualified mechanic inspect your bike before using it. Drop-outs outside these specifications can lead to a serious loss of performance.

4.2 - FRAME SPECIFICATIONS

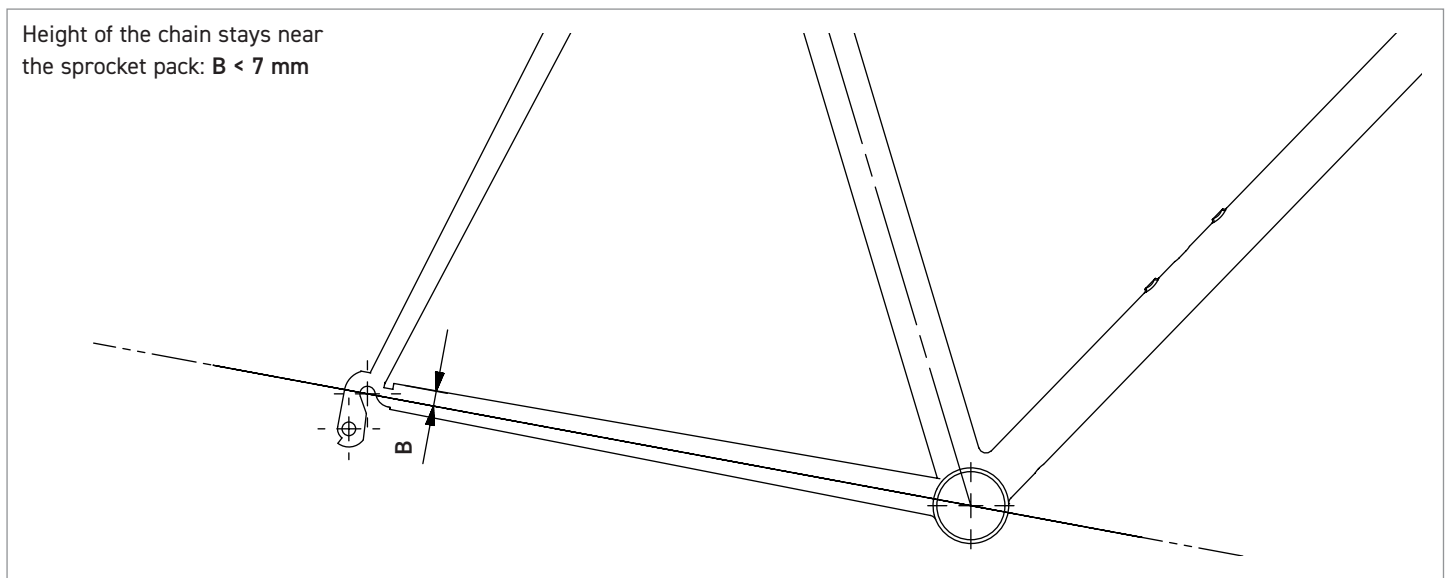


Fig.3

4.3 - PREPARING THE FRAME

Check and, if necessary, realign the rear derailleur dropout only be using Campagnolo® tool UT-VS030 (Fig. 4).

! NEVER straighten the dropout with the rear derailleur assembled because you could damage the dropout and cause irreparable damage or loss in functionality to your rear derailleur.

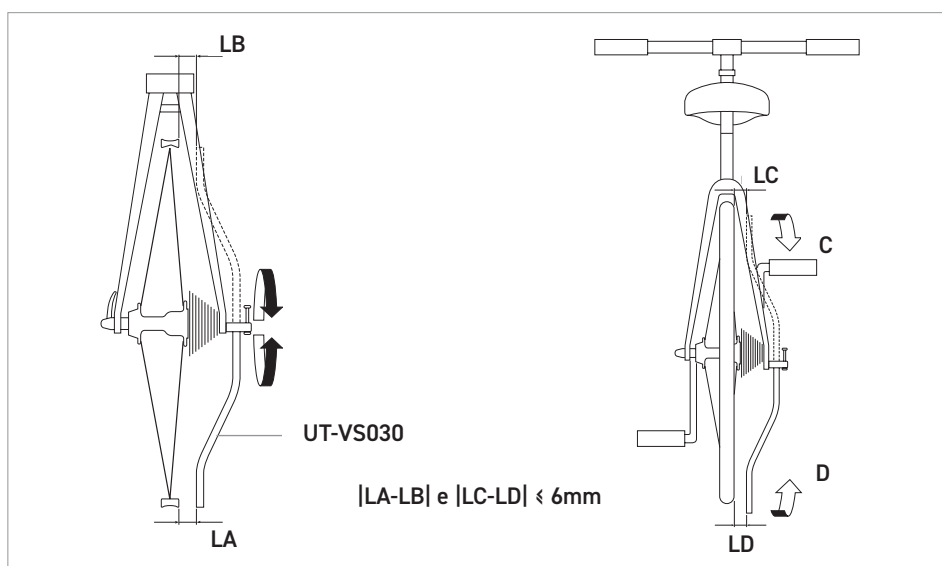
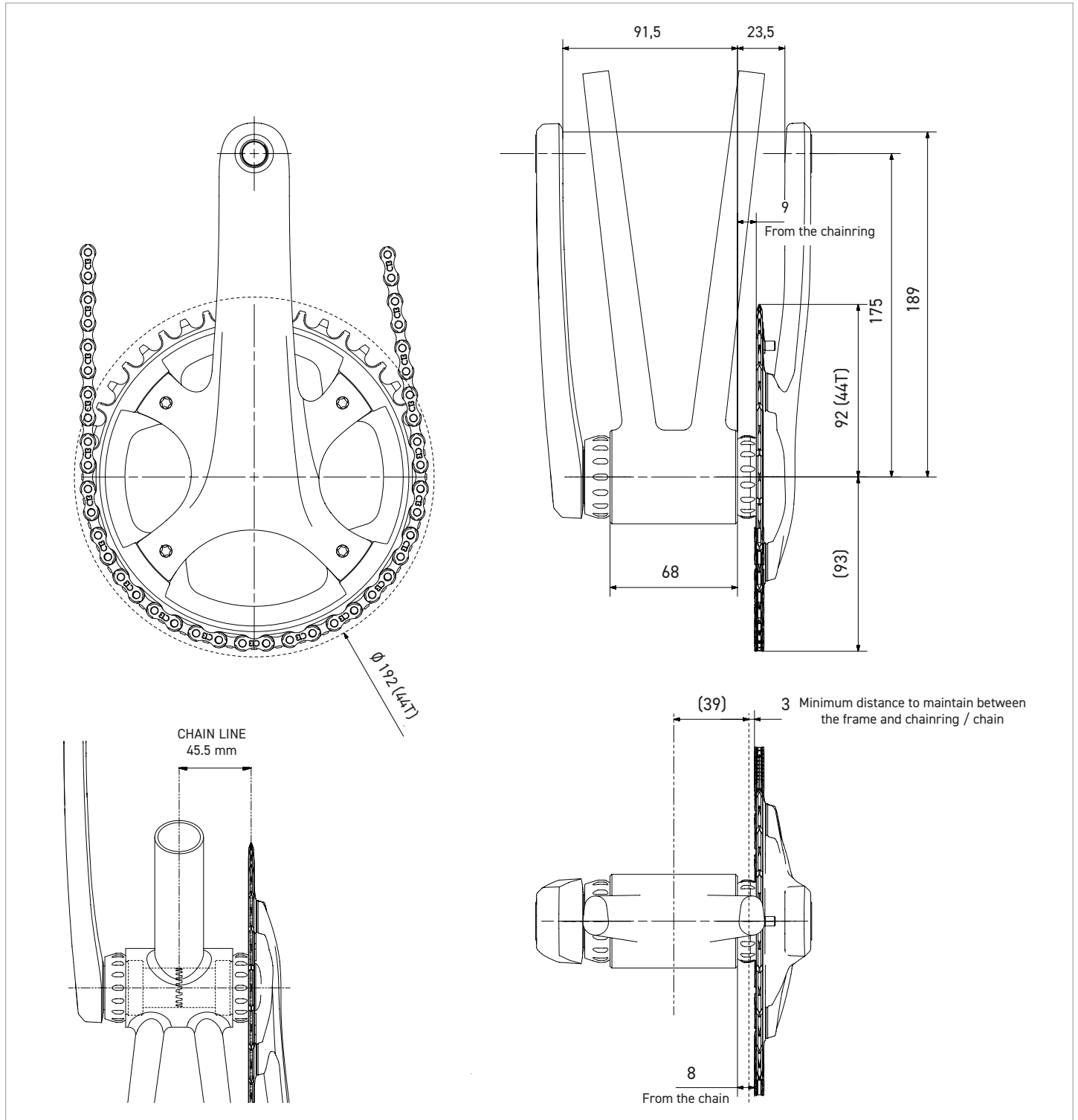


Fig.4

5 - CRANKSET

5.1 - DIMENSIONS FOR EKAR 13s PRO-TECH CRANKSETS

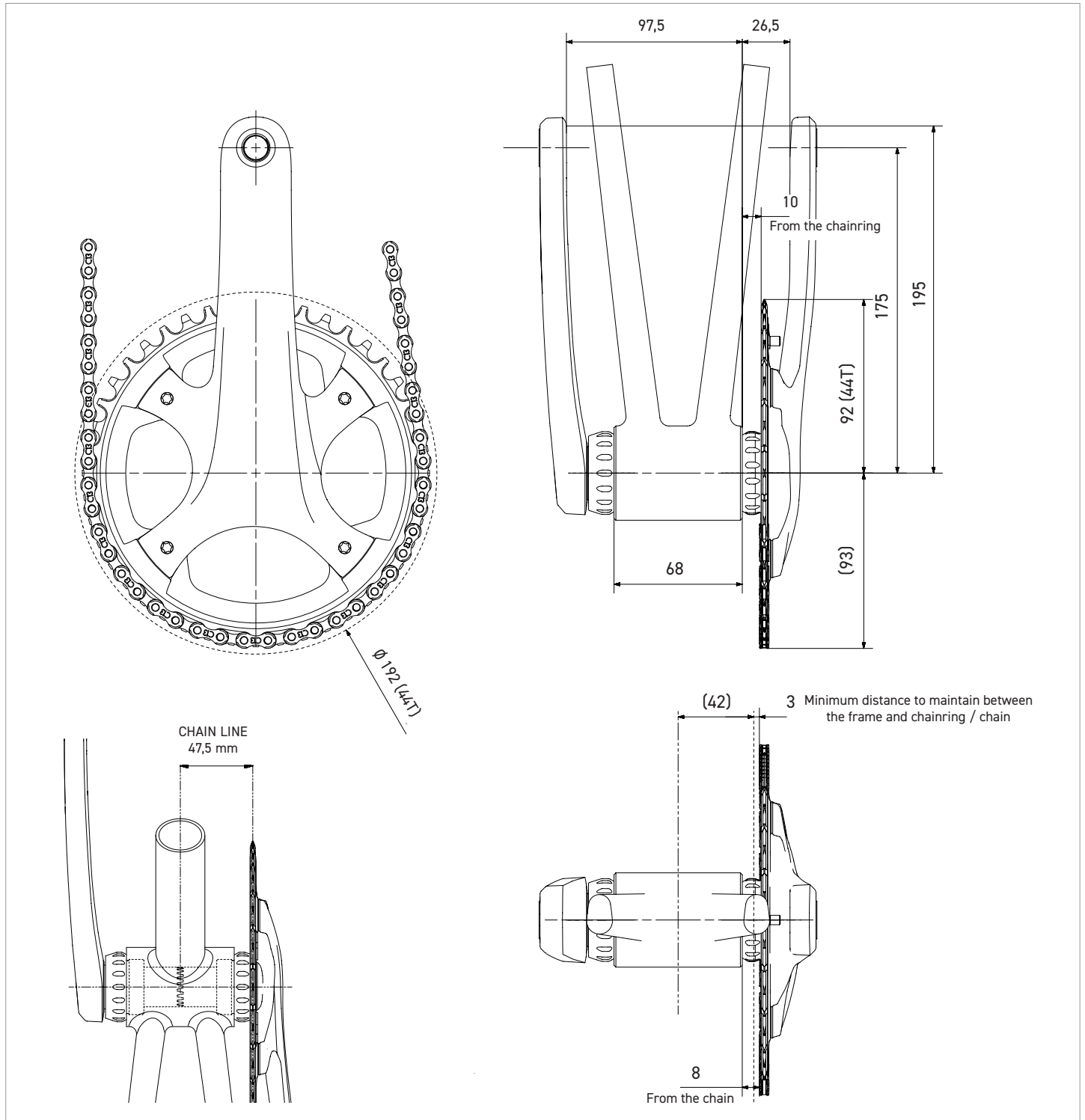
CHAINRINGS	BOLT CIRCLE DIAMETER	CHAIN LINE	MINIMUM CHAINSTAY LENGTH
38-40-42-44	123 mm	45.5 mm	410 mm



Important: where not specified, all measurements are expressed in millimetres.

5.2 - DIMENSIONS FOR EKAR GT 13s PRO-TECH CRANKSETS

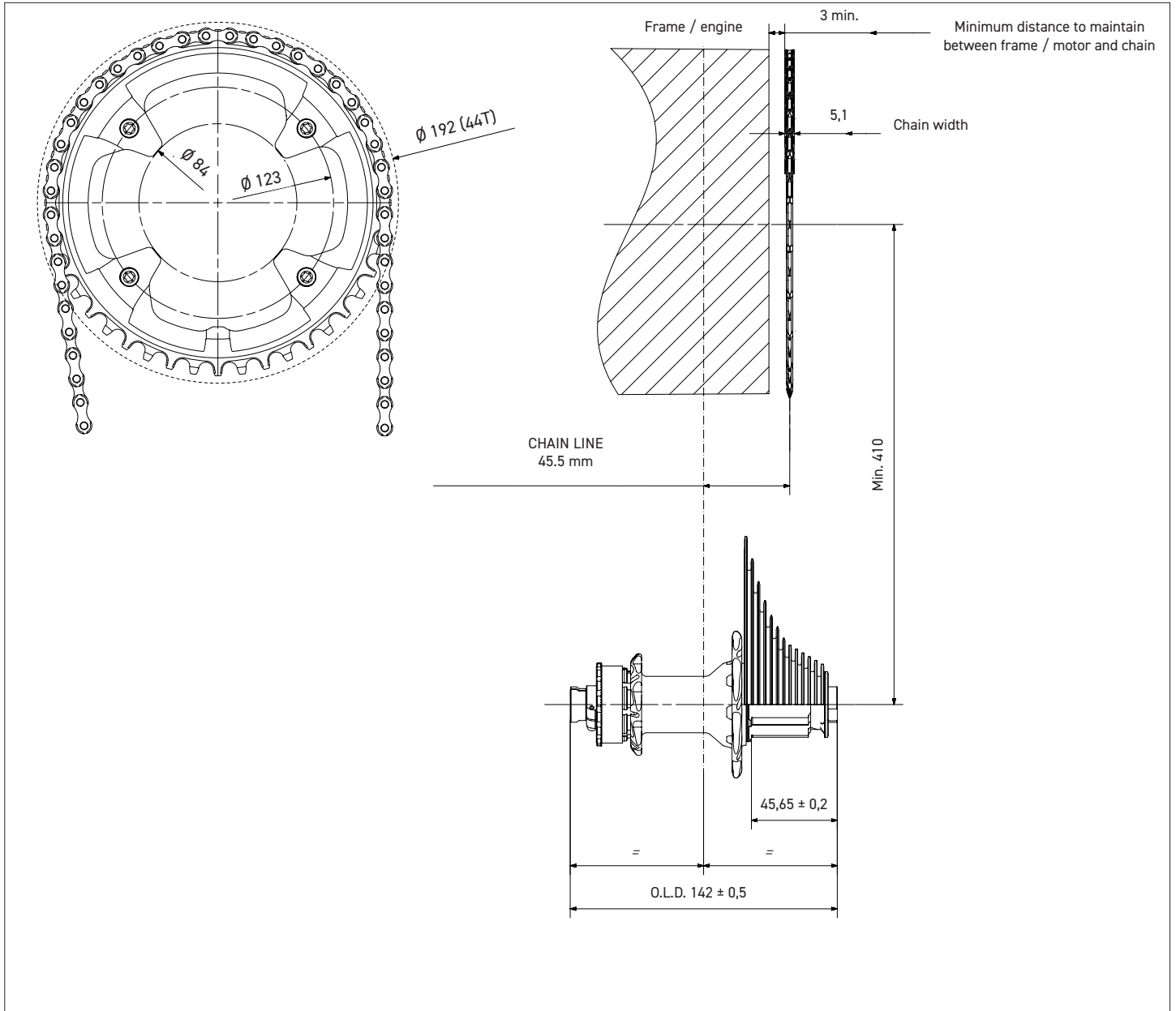
CHAINRINGS	BOLT CIRCLE DIAMETER	CHAIN LINE	MINIMUM CHAINSTAY LENGTH
36-38-40-42-44	104 mm	47,5 mm	410 mm



Important: where not specified, all measurements are expressed in millimetres.

5.3 - DIMENSIONS FOR EKAR 13s PRO-TECH CRANKSETS WITHOUT CRANKS

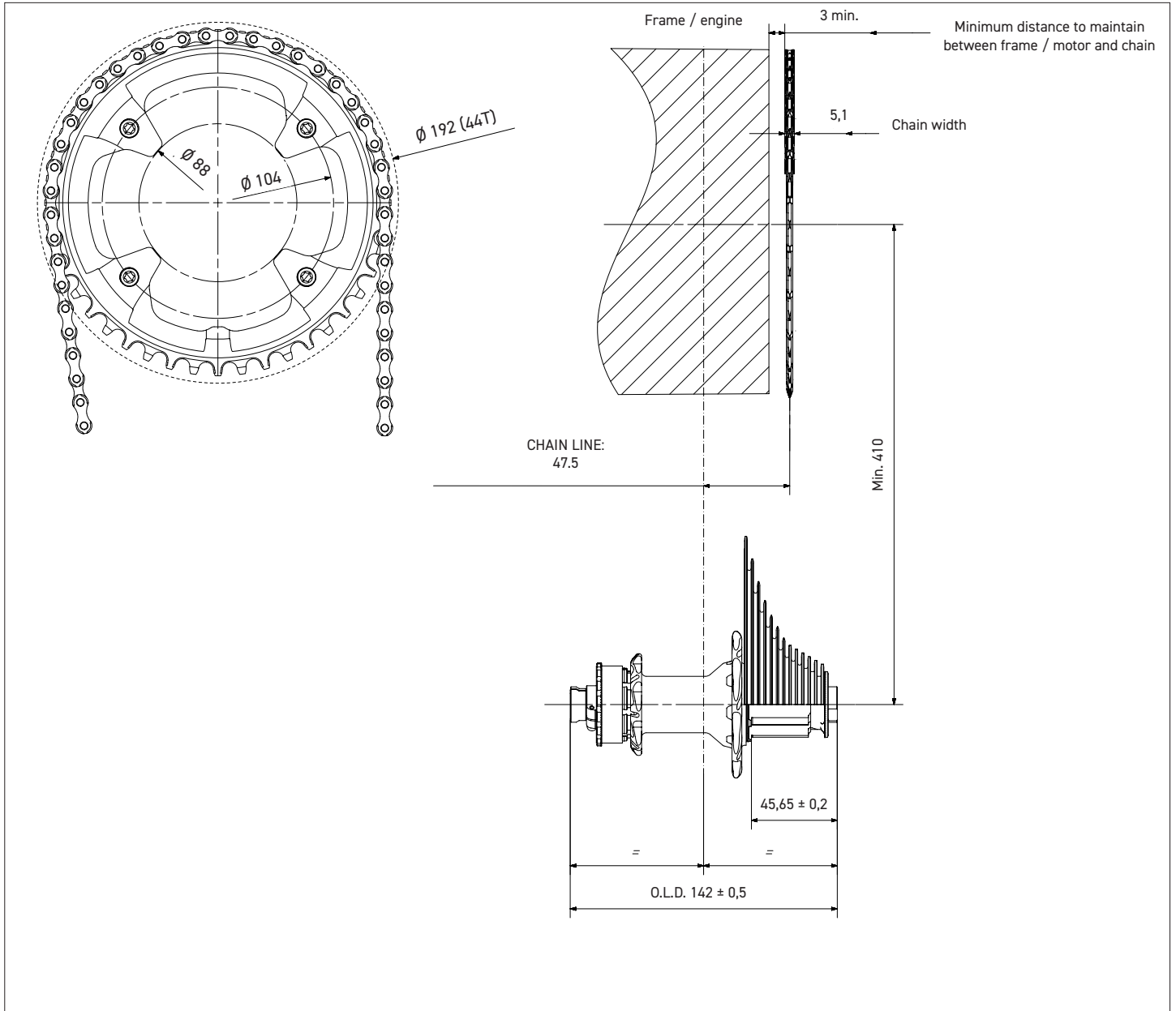
CHAINRINGS	BOLT CIRCLE DIAMETER	CHAIN LINE	MINIMUM CHAINSTAY LENGTH
38-40-42-44	123 mm	45.5 mm	410 mm



Important: where not specified, all measurements are expressed in millimetres.

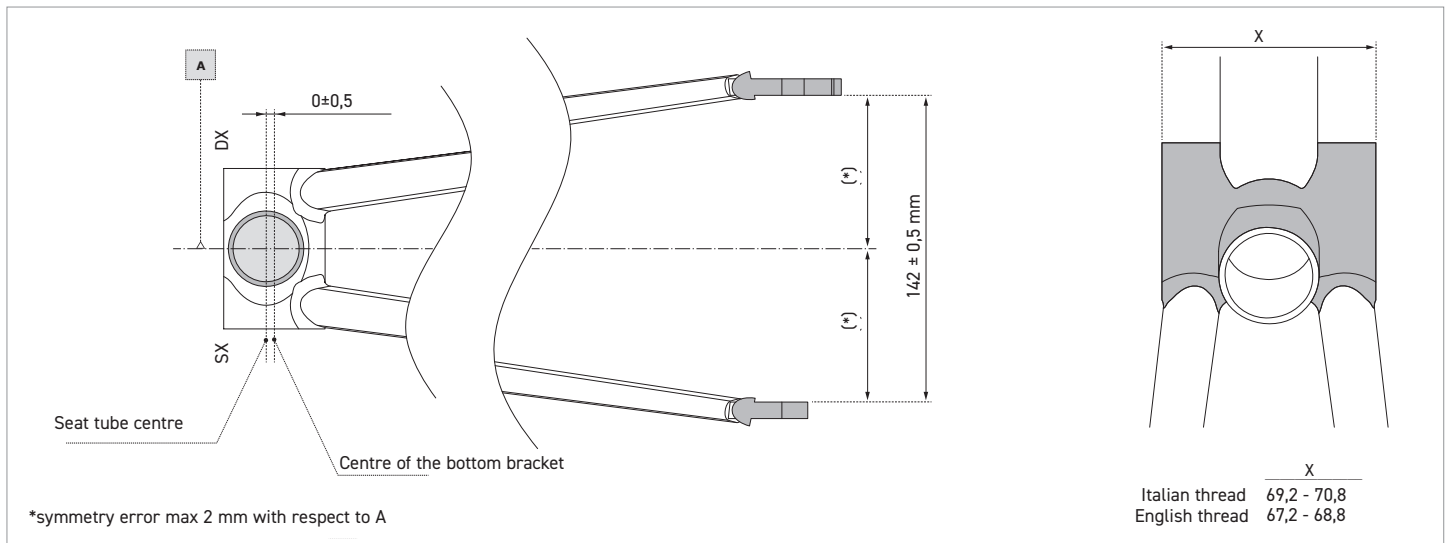
5.3 - DIMENSIONS FOR EKAR GT 13s PRO-TECH CRANKSETS WITHOUT CRANKS

CHAINRINGS	BOLT CIRCLE DIAMETER	CHAIN LINE	MINIMUM CHAINSTAY LENGTH
36-38-40-42-44	104 mm	47,5 mm	410 mm

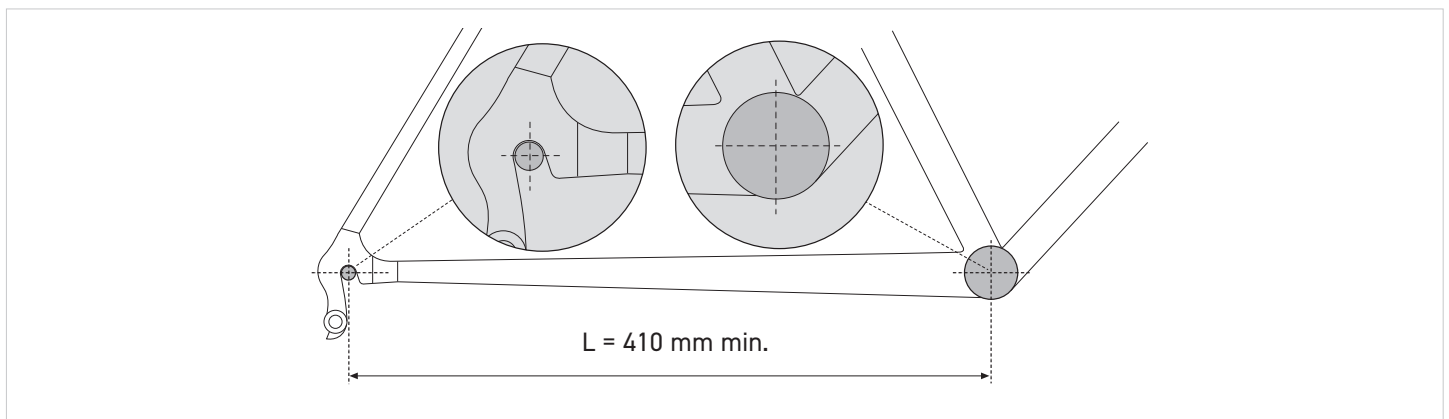


Important: where not specified, all measurements are expressed in millimetres.

5.4 - EKAR / EKAR GT 13s PRO-TECH CRANKSET ENCUMBRANCES



5.5 - MINIMUM CHAINSTAY LENGTH



5.6 - PIVOT PEDAL COMPATIBILITY

WARNING!

Do not put washers between the pedal axle and hand crank as they would give rise to abnormal tensions in the interface area. Such tensions could lead to premature breaks and be the cause of accidents, physical injuries or even death. The stop chain ring of the pedal pivot must respect the dimensions indicated in Fig.1.

These conditions are necessary to minimise the possibility of abnormal tensions in the hand cranks. Such tensions could lead to premature breaks and be the cause of accidents, physical injuries or even death.

NOTE

Q-factor: 145.5 mm (nominal value).

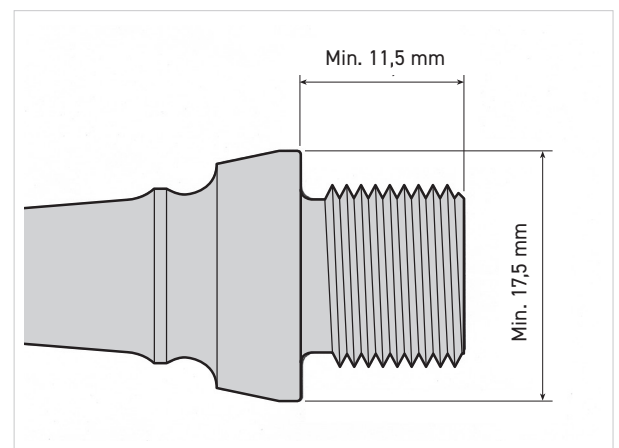


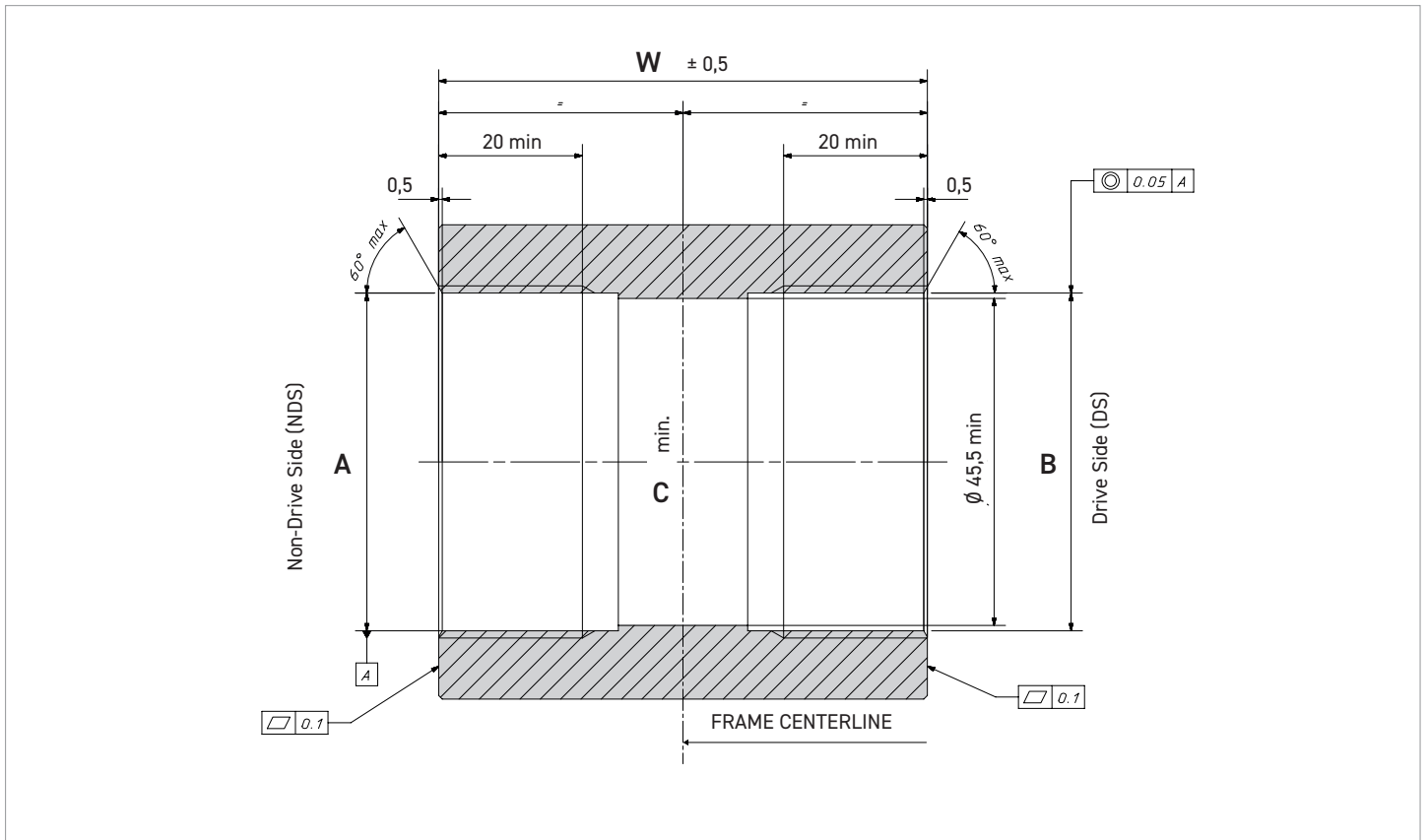
Fig.1

PEDAL THREAD

9/16x20 TPI

6 - PRO-TECH CUPS

6.1 - BOTTOM BRACKET SHELL FOR STANDARD CUPS

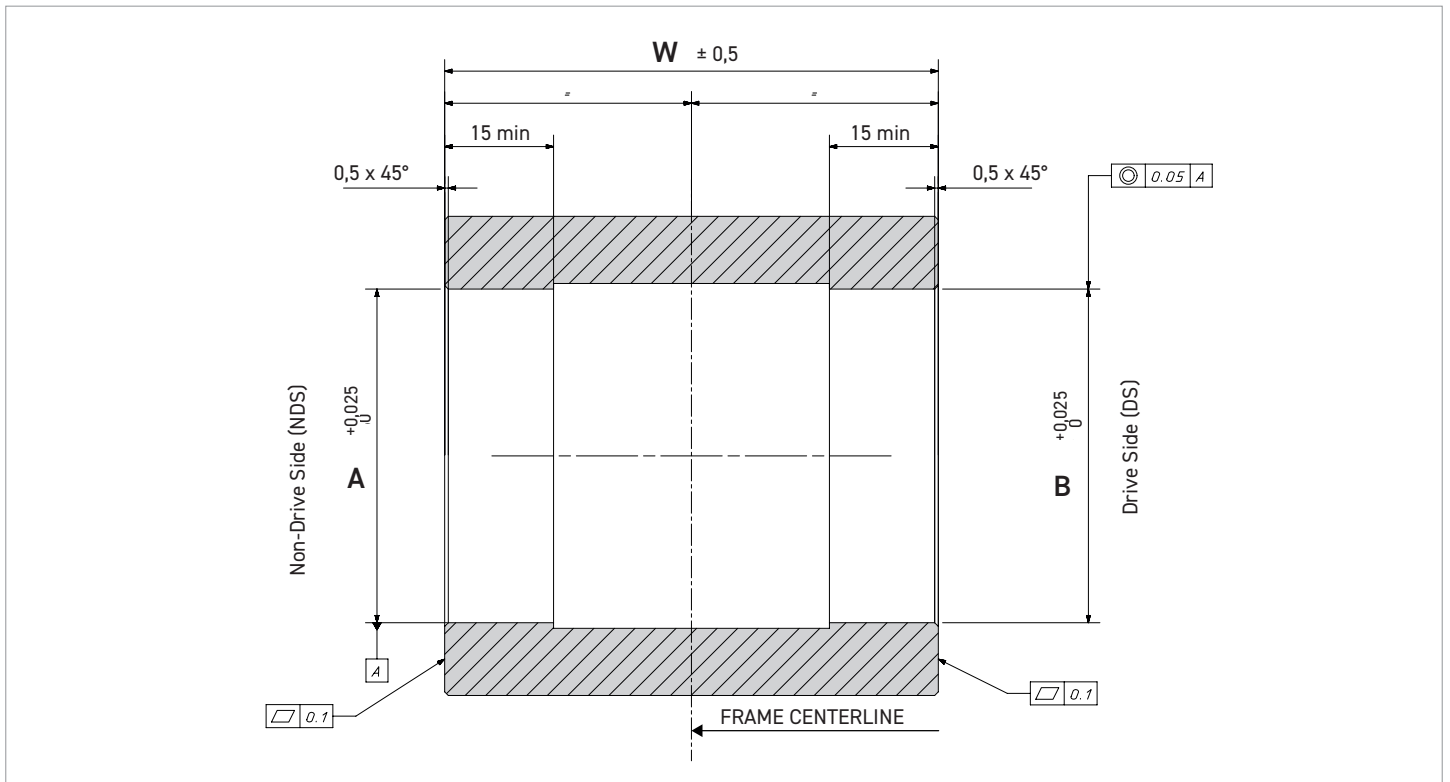


MODEL	W	A	B	C
ITA	70	36 mm x 24 TPI R.H.		33
BSA	68	1,37"x24 TPI R.H.*	1,37"x24 TPI L.H.*	33
T47 x 86	85,5	47 x 1M - RH	47 x 1M - LH	45,5
T47 x 68	68	47 x 1M - RH	47 x 1M - LH	45,5

*Reference JIS B 0225

Important: where not specified, all measurements are expressed in millimetres.

6.2 - BOTTOM BRACKET SHELL FOR PRESS-FIT CUPS



MODEL	W	A	B
BB86	86,5	41	41
PF30	68	46	46
BB386	86,5	46	46
BB Right	79	46	46
BB30	68	42	42

Important: where not specified, all measurements are expressed in millimetres.