



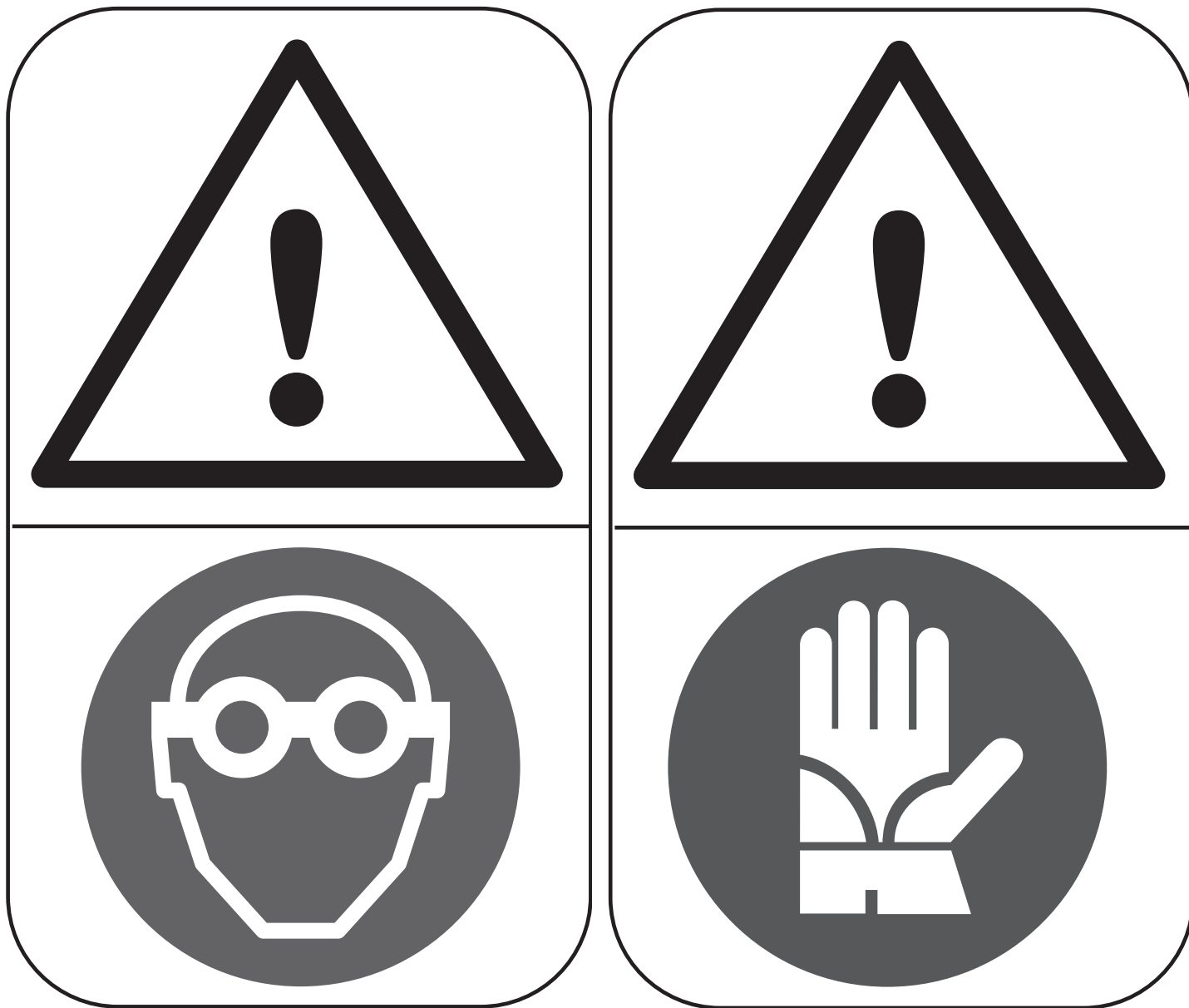
TECHNICAL MANUAL - 22

WHEELS

REMOVING FRONT WHEEL ADAPTERS

WARNING!

Always wear protective gloves and glasses while working on the bicycle.



THIS TECHNICAL MANUAL IS INTENDED FOR USE BY PROFESSIONAL MECHANICS.

Anyone who is not a qualified professional for bicycle assembly must not attempt to install and operate on the components independently due to the risk of carrying out incorrect operations which could cause the components to malfunction, resulting in accidents, physical injury or even death.

The actual product may differ from what is illustrated, as the specific purpose of these instructions is to explain the procedures for using the component.


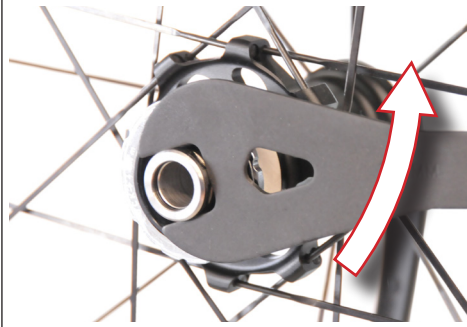
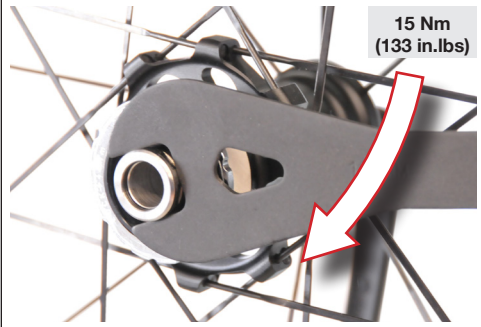


TECHNICAL MANUAL - 22

PROCEDURE	REVISION	DESCRIPTION
1	01/11/ 2024	REMOVING FRONT WHEEL ADAPTERS

PRODUCTS ON WHICH THE PROCEDURE SHOULD BE APPLIED

Refer to the "Table of Technical Manuals for Wheels", available at www.campagnolo.com / section "Technical Documentation – Technical Manuals".

		
<p>1</p> <p>Removing the left-hand pivot adapter.</p> <p>Insert the tool (UT-WHDB001 or UT-WHDB002) on the right-hand side of the pivot.</p>	<p>2</p> <p>Loosen the left-hand adapter with the aid of an open-end spanner (18 mm flat spanner), paying attention to the spacer inside.</p>	<p>3</p> <p>Tighten the adapter again, with a torque of 15 Nm (133 lb-in).</p>

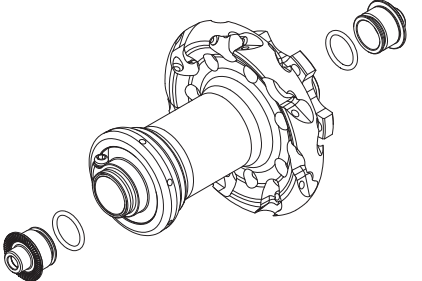
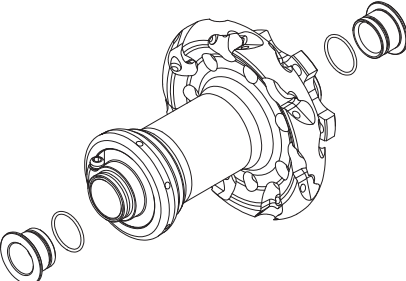
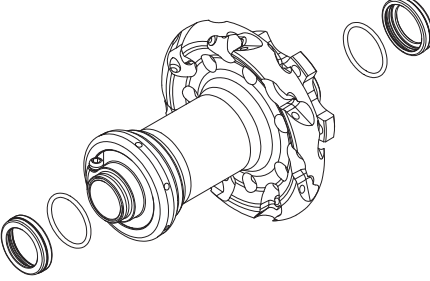
<p>· It is possible to make the front hub compatible on the QR version by using: B0/SH front pivot kit for QR frame.</p> <p>Refer to the Technical Manual 2 "Front hub assembly/disassembly (cup-and-cone bearings).</p>		

TECHNICAL MANUAL - 22

PROCEDURE	REVISION	DESCRIPTION
2	01/11/ 2024	REMOVING FRONT WHEEL ADAPTERS

PRODUCTS ON WHICH THE PROCEDURE SHOULD BE APPLIED

Refer to the "Table of Technical Manuals for Wheels", available at www.campagnolo.com / section "Technical Documentation – Technical Manuals".

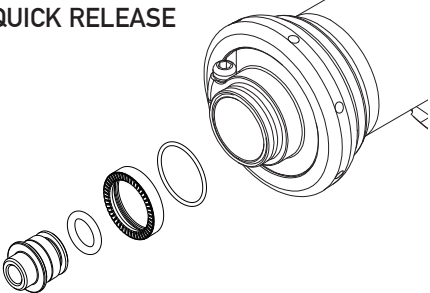
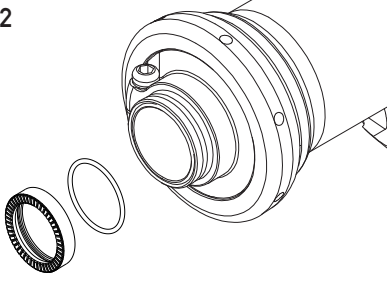
		
<p>1</p> <p>All adapter types, on both sides, slide out from the pivot.</p>	<p>2</p>	<p>3</p>

TECHNICAL MANUAL - 22

PROCEDURE	REVISION	DESCRIPTION
3	01/11/ 2024	REMOVING FRONT WHEEL ADAPTERS

PRODUCTS ON WHICH THE PROCEDURE SHOULD BE APPLIED

Refer to the "Table of Technical Manuals for Wheels", available at www.campagnolo.com / section "Technical Documentation – Technical Manuals".

<p>QUICK RELEASE</p> 	<p>HH12</p> 	
<p>1</p> <p>Both HH12 and Quick Release internal adapters slide out from the pivot on both sides.</p>	<p>2</p>	

TECHNICAL MANUAL - 22

PROCEDURE	REVISION	DESCRIPTION
4	01/11/ 2024	REMOVING FRONT WHEEL ADAPTERS
PRODUCTS ON WHICH THE PROCEDURE SHOULD BE APPLIED		
Refer to the "Table of Technical Manuals for Wheels", available at www.campagnolo.com / section "Technical Documentation – Technical Manuals".		

No front adapter is provided for these wheels.

· It is possible to make the front hub compatible on the QR version by using: B0/SH front pivot kit for QR frame.
Refer to the Technical Manual 2 "Front hub assembly/disassembly (cup-and-cone bearings).