



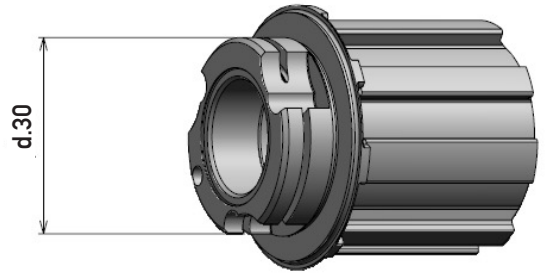
TECHNICAL MANUAL - 23

WHEELS

**SPACERS OF XDR V2 FW BODY (30 mm D.)
BY SRAM CORP.**

TECHNICAL MANUAL - 23

PROCEDURE	REVISION	DESCRIPTION
23	02/10/ 2024	USE OF XDR V2 FW BODY BY SRAM CORP.
PRODUCTS ON WHICH THE PROCEDURE SHOULD BE APPLIED		
This document is only valid for wheels with a 30 mm diameter body.		



As such, this excludes wheels compatible with 33 mm diameter body present on the list below and the wheels of the future Road / Gravel.

•	BORA ULTRA WTO DB
•	BORA ULTRA WTO TT DB
•	SHAMAL CARBON DB
•	LEVANTE

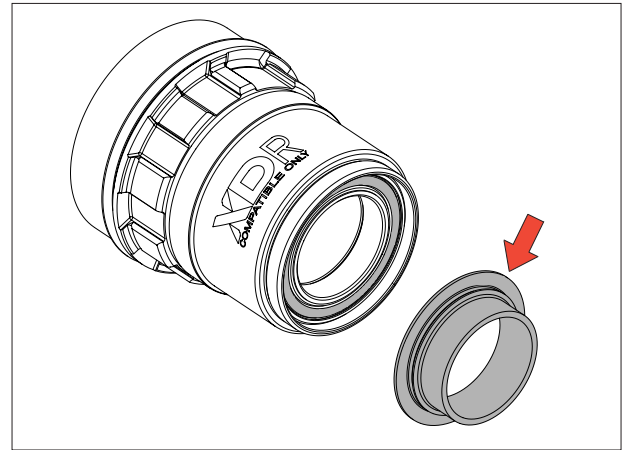
TECHNICAL MANUAL - 23

PROCEDURE	REVISION	DESCRIPTION
23	02/10/ 2024	USE OF XDR V2 FW BODY BY SRAM CORP.

PRODUCTS ON WHICH THE PROCEDURE SHOULD BE APPLIED

This document is only valid for wheels with a 30 mm diameter body.

Depending on the wheel you have, replace the spacer on the wheel with one of the three spacers provided, following the instructions in the table below.



WHEELS FOR TRADITIONAL BRAKE	WHEELS FOR DISC BRAKE	SPACERS AND GROOVES	CODE
Scirocco H35 Vento Asymmetric Khamsin Asymmetric	Bora WTO DB Bora H35/50 DB Shamal Ultra DB	<p>7,4 mm</p> <p>0 Grooves</p>	R4-109
Bora Ultra TT Bora WTO Bora One/Ultra 35/50 Hyperon Ultra Shamal Ultra Shamal Mille Eurus Zonda		<p>8,2 mm</p> <p>1 Groove</p>	FH-FWB3306
	Zonda DB Scirocco DB	<p>7,4 mm</p> <p>2 Grooves</p>	FH-FWB3305